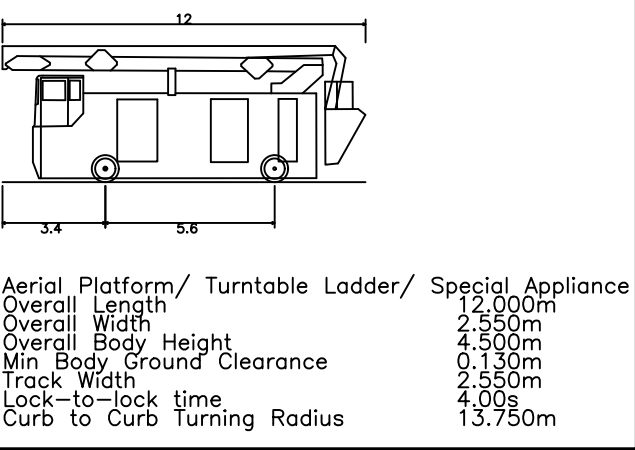
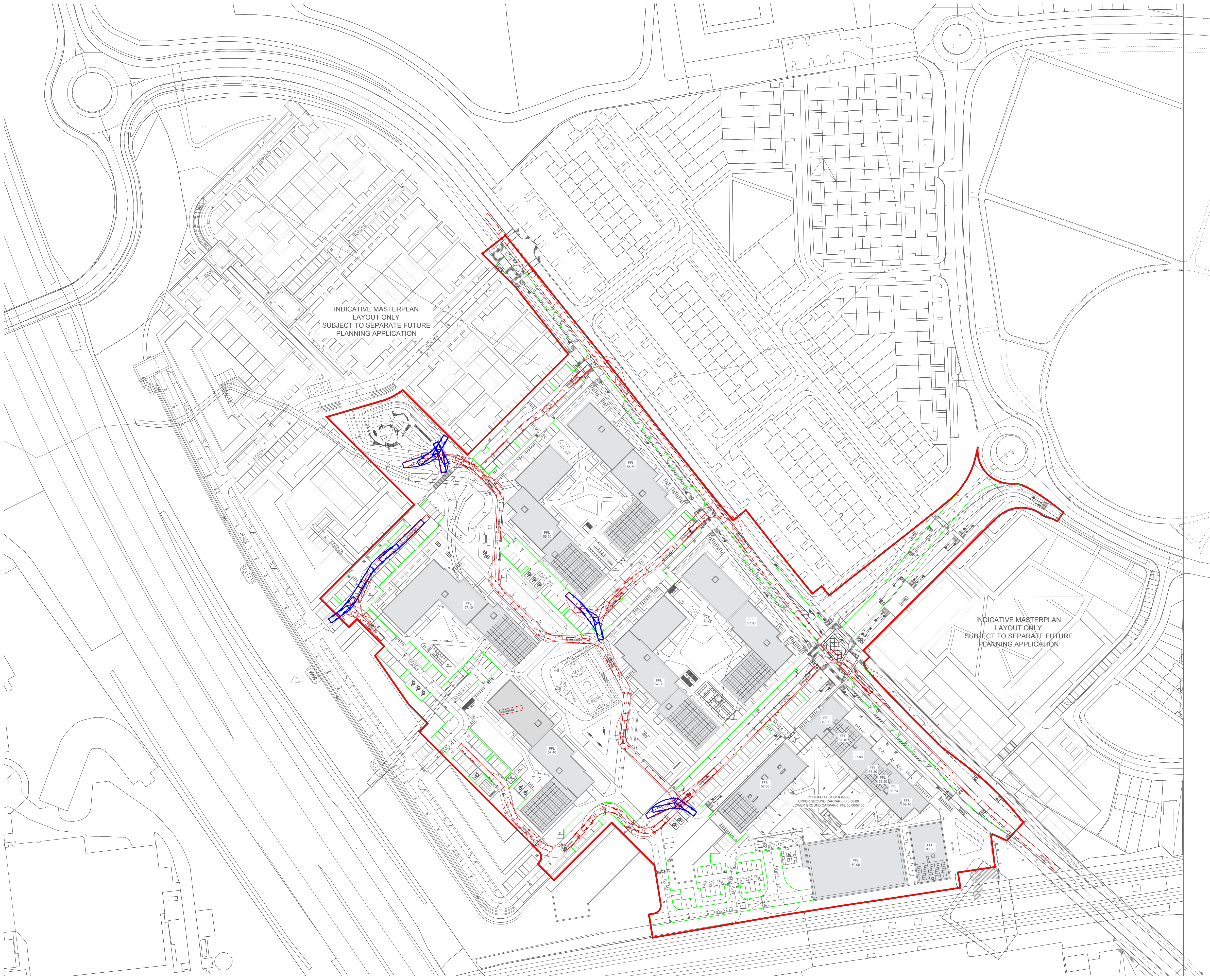


- NOTES:
- DO NOT SCALE. USE FIGURED DIMENSIONS ONLY.
 - THIS DRAWING IS TO BE READ IN CONJUNCTION WITH ALL OTHER RELEVANT ARCHITECTURAL AND ENGINEERING DRAWINGS.

LEGEND:



Note: Forward Swept Path Analysis Shown in Red.
Reverse Swept Path in Blue
125mm High Kerbline by Architect in Green.



| Rev | Date | Description | By | Chk |
|------------|------|-------------|----|-----|
| Amendments | | | | |

Project
CHERRY ORCHARD POINT

Title
ARIAL PLATFORM TURNING MOVEMENTS

Client
LAND DEVELOPMENT AGENCY



BLOCK S, EASTPOINT BUSINESS PARK, ALFIE BYRNE ROAD,
 DUBLIN D03 H3F4 IRELAND. Tel: (01) 664 8900
 Email: info@waterman-moylan.ie www.waterman-moylan.ie

Status
PLANNING

| | | | | | |
|-------------|-----|----------|----------|--------------|--------|
| Designed By | PJD | Approved | IW | Waterman Ref | 22-010 |
| Drawn By | PJD | Date | OCT 2023 | Scales @ A1 | 1:1000 |

| | | | | | | | |
|--------------------------|------------|--------|-------|------|------|--------|----------|
| Project | Originator | Volume | Level | Type | Role | Number | Revision |
| COP-WMC-PH1-00-DR-C-P142 | | | | | | | |

